






Nesso Blanc



IP20     

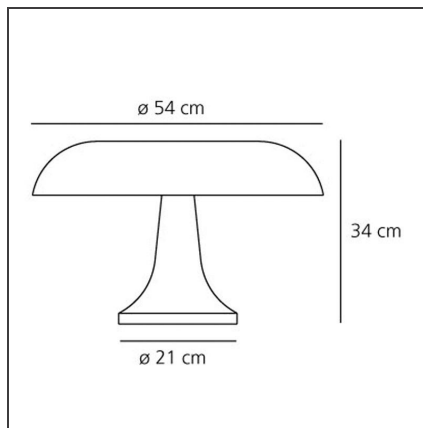
DESSINÉ PAR

Giancarlo Mattioli, Gruppo Architetti Urbanisti Città Nuova

DESCRIPTION

Designed by Giancarlo Mattioli and Gruppo Architetti Urbanisti Città Nuova, in the glamorous 60's era, Nesso is an international icon of futuristic, democratic design. Part of the "Modern Classics" reissued line, it was a marvel of ABS thermoplastic injection-molding when first introduced in 1967 thus bringing industrial materials and methods to the home and office environments. A dash of color and a design inspired from nature, Nesso stems from the visionary identity of Artemide. Its' iconic curves wind into a true collectible, an expressive statement piece of internationally acclaimed calibre and fame. An iconic piece having staged its presence in various landmarks, Nesso is considered a valuable piece of art. An "icon" of design, part of the permanent collections of The Metropolitan Museum of Art and The Museum of Modern Art.

DESSINS TECHNIQUES



CARACTÉRISTIQUES

Code Article :	0056010A	Matériaux:	ABS
Couleur:	Blanc	Séries:	Design, Modern Classic
Installation:	Table	Emission:	Diffuse Et Directe
Environnement:	Indoor		

DIMENSIONS

Hauteur:	cm 34	Résistance à l'impact:	N/D
Diamètre de la base:	cm 21	Test au fil incandescent:	850°C

SOURCE NON INCLUSE

Catégorie:	HALO	Class:	A
Nombre:	4		
Watt:	20W		
Culot:	E14		

SOURCES ALTERNATIVES

Catégorie:	LED
Nombre:	4
Watt:	2W
Typologie:	2
Culot:	E14
Class:	A

LUMINAIRE

Watt:	80W
Tension:	220V-240V